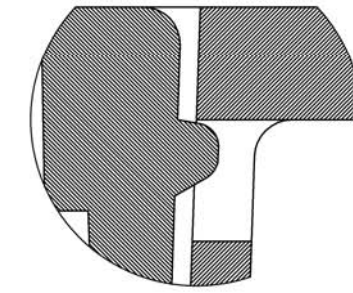
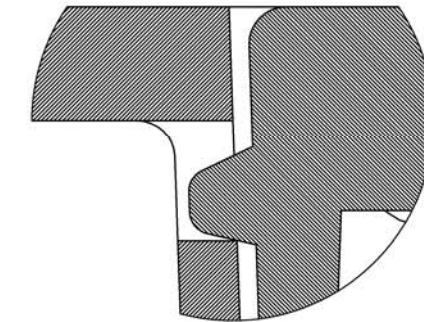


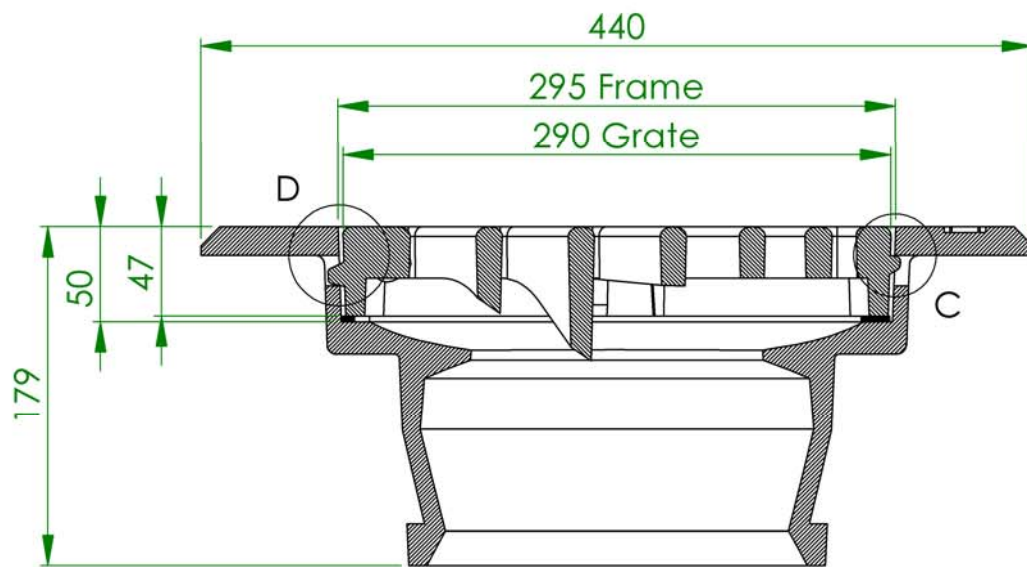
Section B-B
Scale 1 : 4



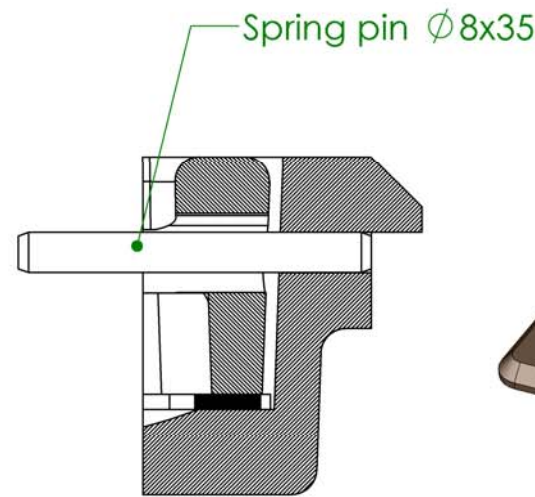
Detail C
Scale 1 : 1



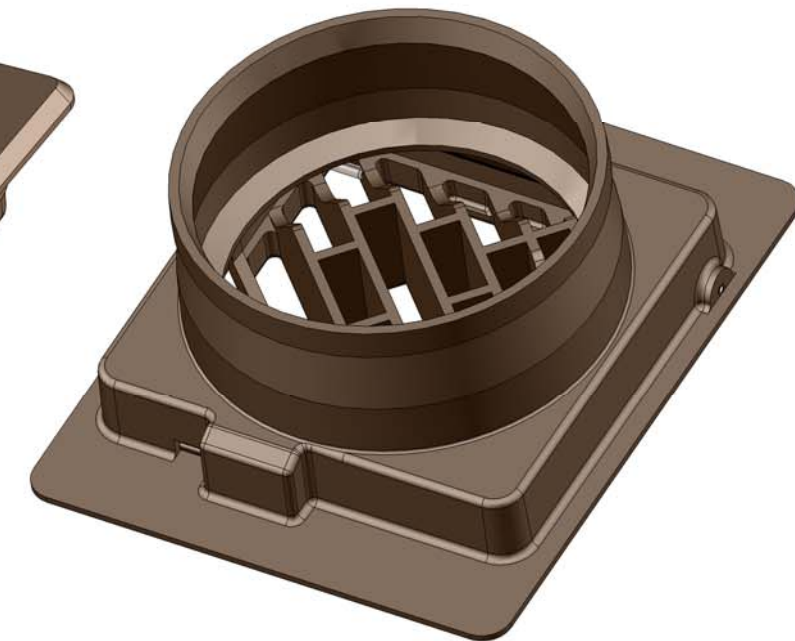
Detail D
Scale 1 : 1



Section A-A
Scale 1 : 4



Section E-E
Scale 1 : 1.5



- Note:
1. Casting Material: GJS500
 2. Frame Weight: 21.5KG
Grate Weight: 13KG
 3. Flow Area Is 452.2cm²,
94.4% Of Clear Opening

REVISION No	DATE	DESCRIPTION	BY	CHKD.
01	11-12-2014	Original Design	QM.H	ZX.Y

UNLESS OTHERWISE STATED
DIMENSIONS ARE IN MILLIMETERS
CASTING RADII 3-5mm
DRAFT TAPERS 2°

CASTING DIM	TOLERANCE (+/-)
100mm	2.0mm
100-400mm	2.8mm
400-1000mm	3.8mm
1000-1600mm	4.6mm
1600-2500mm	5.4mm

CASTING TOLERANCE ANGULAR $\pm 0.5^\circ$
DENOTES MACHINED SURFACE

BB produkter
PRT No: **2628MDT**
MATERIAL: **GJS500**

THIRD ANGLE PROJECTION

TITLE: 315 Gully Top Grate Assembly		VERSION: A3	DESIGN WEIGHT: 34.5 kg
DRAWN: QM.H	SCALE: N.T.S.	DRG No: 01	SHT 1 / 1
CHECKED: ZX.Y	DATE: 11-12-2014	2628MDT	