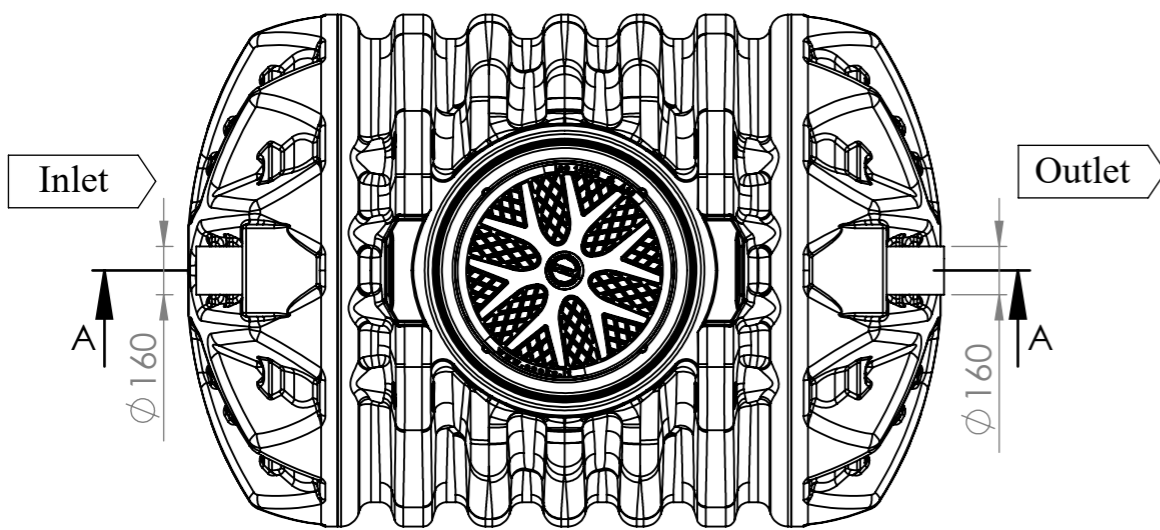


SECTION A-A
SCALE 1 : 25



		Class	Weight
1	Cover according to standart EN124 (☒)	A35 (3,5 t) ☐	13 kg
		B125 (12,5 t) ☐	45 kg
		C250 (25 t) ☐	55 kg
		D400 (40 t) ☐	90 kg
2	Maintenance shaft (☒)	800...1000 ☐	31 kg
		1000...1250 ☐	33 kg
		1250...1500 ☐	42 kg
		1500...1750 ☐	52 kg
		1750...2000 ☐	62 kg
		2000...2250 ☐	71 kg
		2250...2500 ☐	80 kg
3	Ladder		
4	Automatic closure		
5	Coalescing modules		
6	Sludge trap	2000 l	
7	Oil storage capacity	320 l	
8	Effective capacity	2056 l	
9	Oil level alarm sensor (☒)	☐	
		Nominal flow rate	10 l/s
		Total capacity	4056 l
		Weight excluding manhole shaft/lid	410 kg

Product Sepko T	Name Oil/water separator Sepko T 10/2000	Scale 1:25
Design by V.Laucius	Checked by E.Mozuraitis	Approved by E.Kuodis
 UAB ENEKA Vandziogalos g. 94 LT-47467 Kaunas, Lithuania tel. +37037377441, faks.+37037377907 www.eneka.lt, info@eneka.lt		Drawing type Customer drawing Drawing no. - Date 6/18/2021
Construction site -		Lang. Sheet en 1