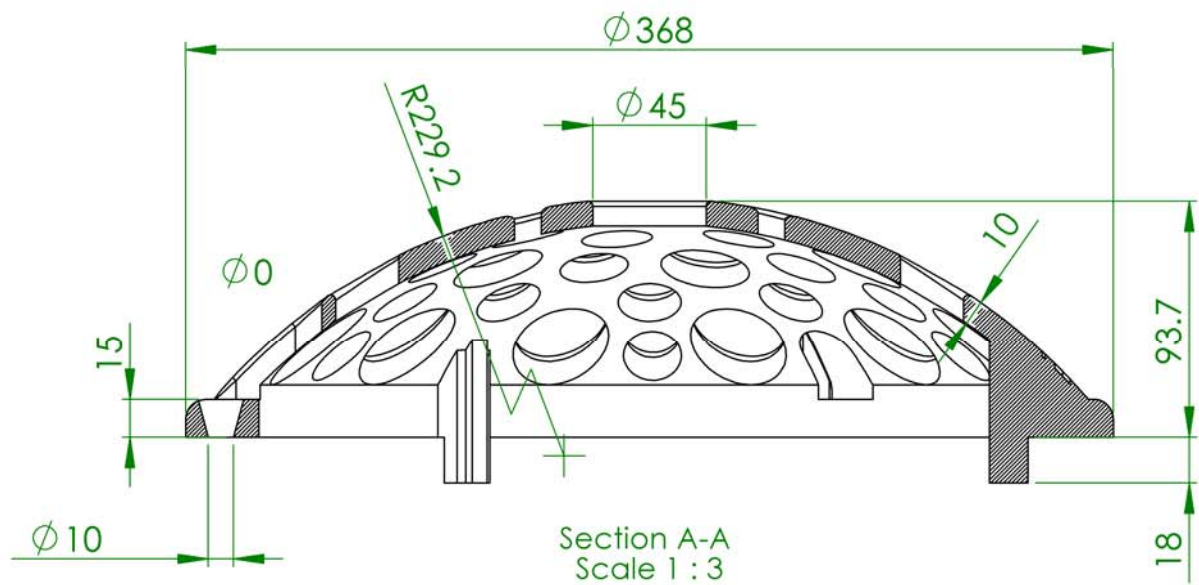


Three Off Spaced Equally

Drawing No. & Foundry Code & Batch No. Located Underside



Note:
 1, Interior Diameter Of Plastic Telescope Pipe Is 315mm
 2, Coating: Brown Painting

REVISION No	DATE	DESCRIPTION	BY	CHKD.
01	11-12-2014	Original Design	QM.H	ZX.Y

UNLESS OTHERWISE STATED
 DIMENSIONS ARE IN MILLIMETERS
 CASTING RADII 3-5mm
 DRAFT TAPERS 2°

CAST TOLERANCE
 LINEAR

CASTING DIM	TOLERANCE (+/-)
100mm	2.0mm
100-400mm	2.8mm
400-1000mm	3.8mm
1000-1600mm	4.6mm
1600-2500mm	5.4mm

CASTING TOLERANCE ANGULAR ±0.5°
 DENOTES MACHINED SURFACE ✓

BB 2812MDT
 produkter GJS500

THIRD ANGLE PROJECTION

TITLE: 315 Dome Jarlsberg for plastic telescope pipe				
DRAWN: QM.H	SCALE: N.T.S.	VERSION: A3	DESIGN WEIGHT: 8	kg
CHECKED: ZX.Y	DRG. No: 2812MDT	01	SHT 1	1
DATE: 11-12-2014				